

CPD-200ES/200EST

SERVICE MANUAL

CPD-200ES
US Model
Canadian Model
 Chassis No. SCC-L16B-A

CPD-200EST
AEP Model
UK Model
 Chassis No. SCC-L16A-A

X2F CHASSIS

SUPPLEMENT-1

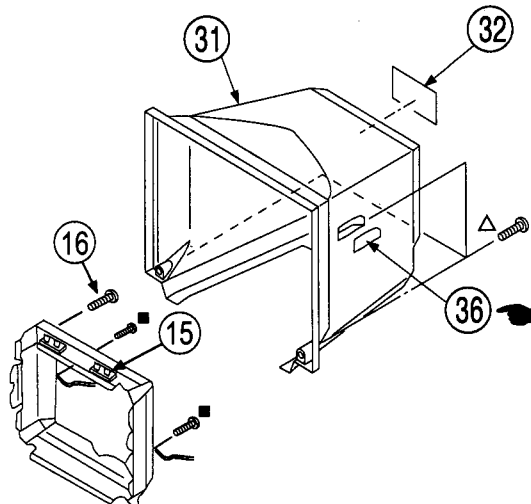
Subject: Exploded View Item

File this supplement with the service manual.

Section 6 Exploded Views (Page 29)

OLD			NEW		
REF. NO.	PART NO.	DESCRIPTION	REF. NO.	PART NO.	DESCRIPTION
Not Listed ---->	Needs to be added		36	4-060-165-11	COVER, SCREW

 : Added item



TRINITRON® COLOR COMPUTER DISPLAY

SONY®



9-978-819-81

English
 98BJ74208-1
 Printed in U.S.A.
 © 1998.2